



STANDARD SYSTEM



DESIGN SYSTEM



DOUBLE DECK



TRUSS SYSTEM



WALL SYSTEM



FABRIC SYSTEM



FLOOR SYSTEM



SHOWCASE



EXPO FURNITURE



EXPO ELECTRICAL EQUIPMENT



PACKING



ASSISTANT MATERIAL

• Bring Eco-friendly Display System into every show space



LINGTONG EXHIBITION SYSTEM CO., LTD.

STANDARD SYSTEM
DESIGN SYSTEM

LT SYSTEMS

- Full Service
- Reduce Reuse Recycle
- Low-carbon and Environment-friendly
- A full line of system
- Quick Assembly
- One-stop service



Address: NO.333, Changhong East Road, Yaoguan, Wujin, Changzhou, Jiangsu, China

Post code: 213102

Tel: 0086-519-88702888 88702558 88702568

Fax: 0519-88701653

Email: lingtong@ling-tong.cn

<http://www.ling-tong.com>

Toll free: **800-828-6786**

201611-01



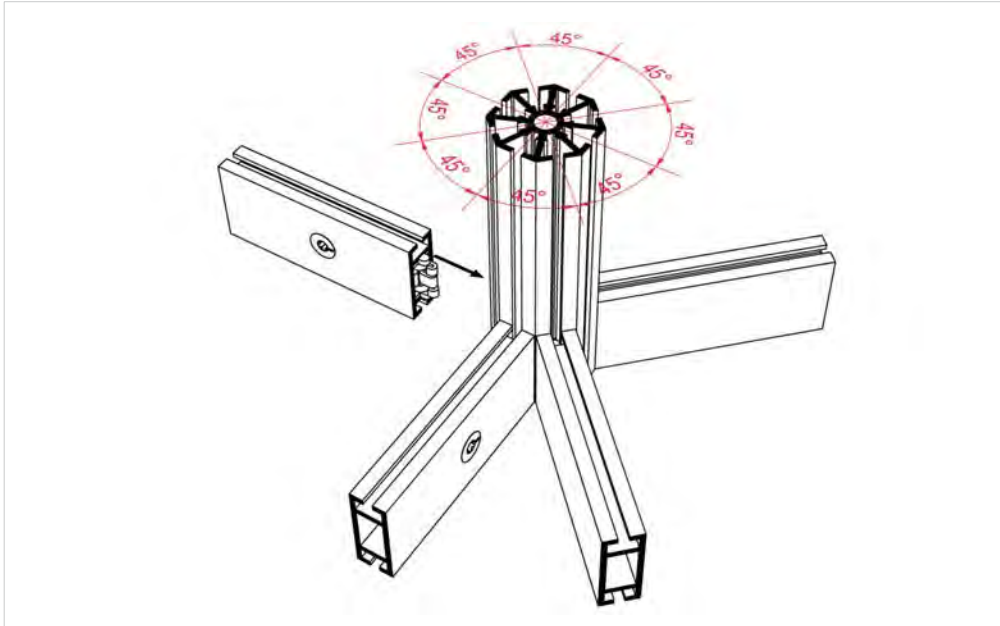
Standard System	02-08	A

Design System	09-24	B

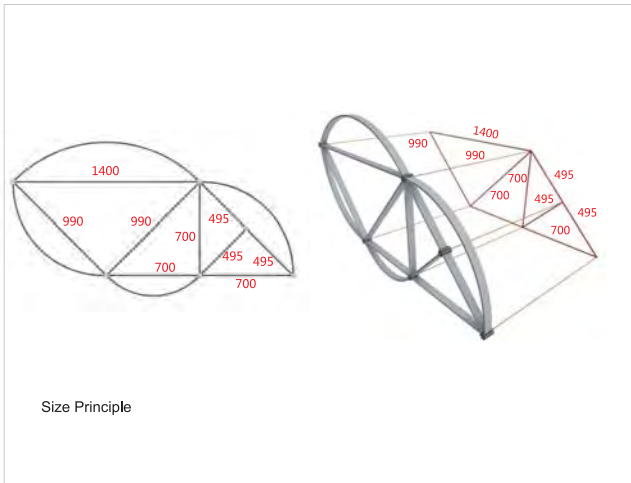
Applications	25-32	C



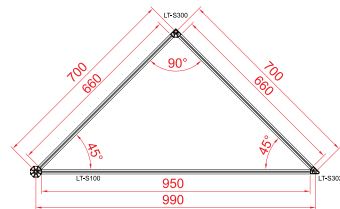
Connection Diagram of Standard System



Aluminum profiles are produced based on 990 theorem have high size interchangeability. It greatly increase the reuse rate of aluminum profiles and reduces the cost of exhibition.



Size Principle

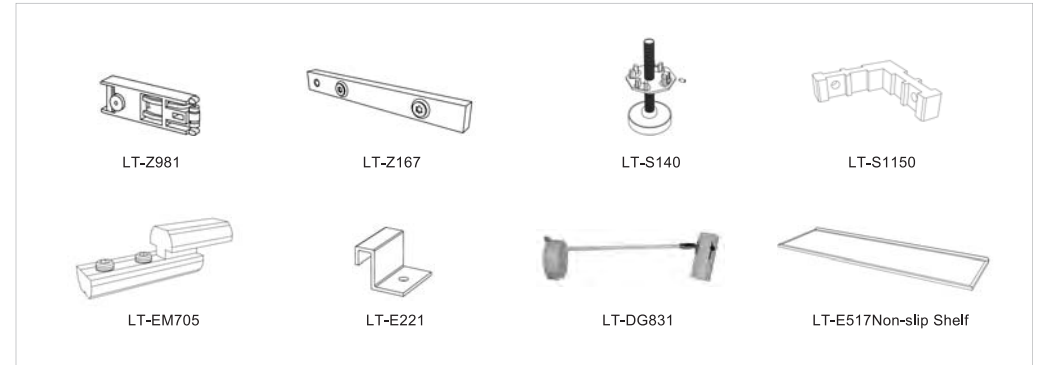


How to mark the size?

Common profiles

Upright Extrusion Material: aluminum						
	LT-S100	LT-S108	LT-S201	LT-S203	LT-S204	LT-S300
Beam Extrusion Material: aluminum						
	LT-Z4200	LT-Z4300	LT-Z4400	LT-Z400A	LT-Z460	LT-Z109

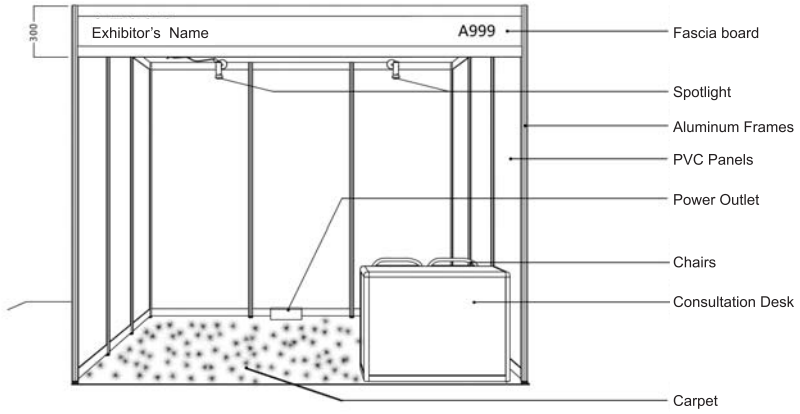
Common Accessories



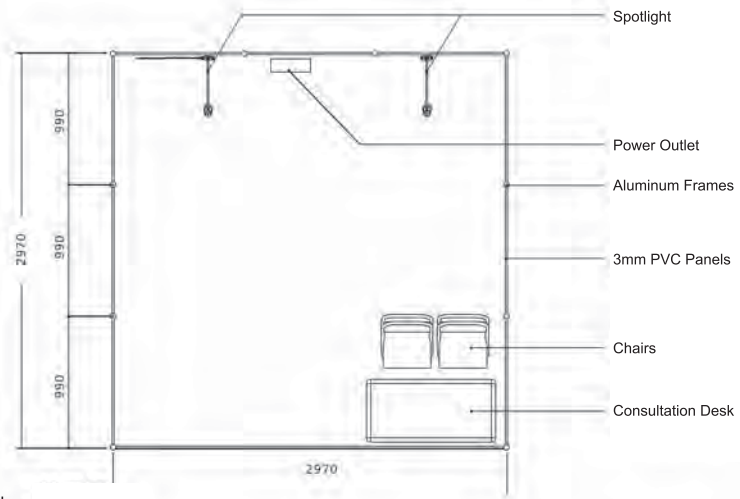
Common Doors



Standard Size



Perspective



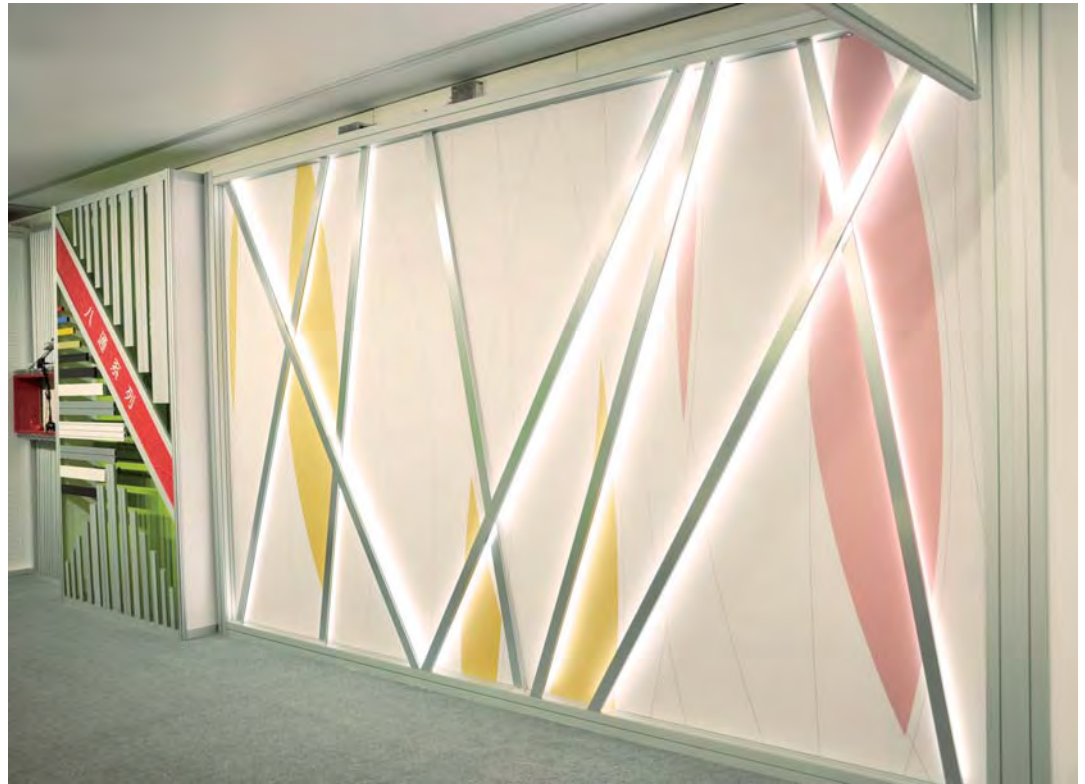
Plan



Profiles Connector-90°



Profiles — Splicer



Successful Case



Structure Diagram for Square System

Fabric Frame Extrusion Diagram for Square Extrusion



Square Profile

LT-M311



Square Extrusion/40mm
Cross Section Size:40×40
Material: aluminum



LT-Z981/8



40mm Square Extrusion
Adjustable Foot



LT-EM534
40mm Square Extrusion
Plastic End Cover

Connect through LT-Z981/8. For medium and small booth design.

LT-M602



Square Extrusion/60mm
Cross Section Size: 60×60
Material: aluminum



LT-Z952



60mm Square Extrusion
Adjustable Foot



LT-EM513
60mm Square Extrusion
Plastic End Cover

Connect through LT-Z952. For medium and small booth design.

LT-M302A



Square Extrusion/80mm
Cross Section Size: 80×80
Material: aluminum



LT-Z955



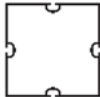
80mm Square Extrusion
Adjustable Foot



LT-ML1035
80mm Square Extrusion
Plastic End Cover

Connect through LT-Z955. For different size of customized booth design.

LT-M607



Square Extrusion/100mm
Cross Section Size:100×100
Material: aluminum



LT-Z956



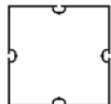
100mm Square Extrusion
Adjustable Foot



LT-EM532
100mm Square Extrusion
Plastic End Cover

Connect through LT-Z956. For large size of customized booth design.

LT-M603



Square Extrusion/120mm
Cross Section Size:120×120
Material: aluminum



LT-Z957



120mm Square Extrusion
Adjustable Foot



LT-EM531
120mm Square Extrusion
Plastic End Cover

Connect through LT-Z957. For large size of customized booth design.

Square Profile

LT-M317



135° Connecting Upright Extrusion
Cross-section size: 80mm
Material: aluminum

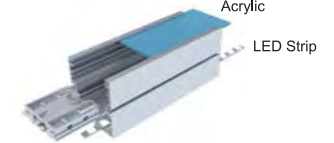


LT-M317 not only use as 135° connecting upright extrusion , but also apply as 45° conner connecting extrusion. We also have 135° connecting upright extrusion for 60mm, 80mm, 100, 120mm square extrusion.

LT-M320

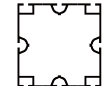


Open Square Extrusion/80mm
Cross-section size: 80×80
Material: aluminum



Connecting through LT-Z955, LT-M320 is able to apply to lighting upright extrusion structure. There are 80mm, 100mm, 120mm open square extrusion.

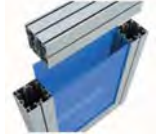
LT-M313



Square Extrusion with 8 Grooves/80mm
Cross-section size: 80×80mm
Material: aluminum



LT-Z955



LT-M313 is connected via LT-Z955, and there are 3 grooves in two opposite sides. It is applicable to lighting box.

LT-M513



60×120mm Rectangle Extrusion
Cross-section size: 60×120mm
Material: aluminum



LT-Z957



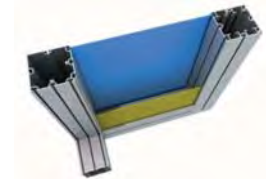
LT-Z952

LT-M513 can be connected via LT-Z957 or LT-Z952. We have 40×80mm, 60×120mm, 80×160mm rectangle extrusion at present.

LT-M530



Square Extrusion with 8 grooves/84mm
Cross-section size: 84×84mm
Material: aluminum



Compensate for the shortcomings of square extrusion with 8 grooves in 90 degree corner.

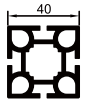
Note:Here we listed a few profiles.For other materials or requirements, pls refer to our catalogue or contact us.

Curved Square Extrusion

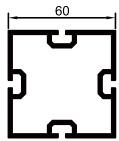


The radians of curved square extrusion can not be smaller than their min radius.
The maximum radians of curved square extrusion is 180°.

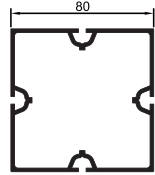
The square extrusions can be curved.



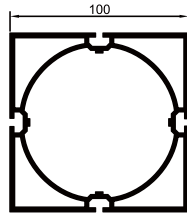
LT-M311



LT-M602



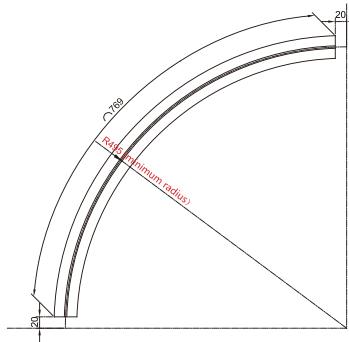
LT-M302A



LT-M621



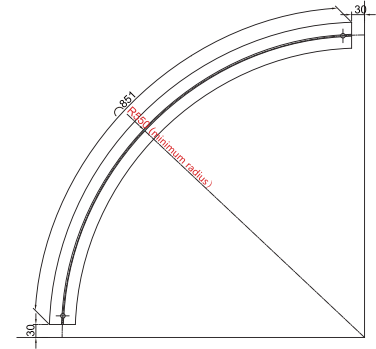
LT-M311 Minimum bend radius diagram



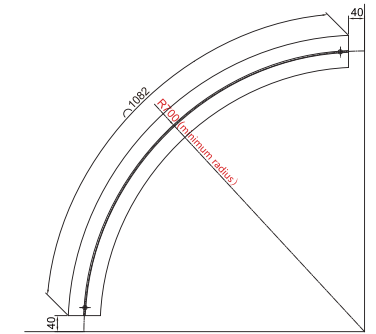
Minimum radius



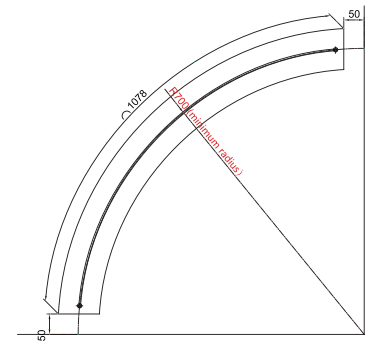
LT-M602 Minimum bend radius diagram



LT-M302A Minimum bend radius diagram



LT-M621 Minimum bend radius diagram





Square Extrusion Cutting Angle



40 Square extrusion cutting angle diagram

Square Extrusion/40mm	The cutting angle limited from 30°-150°
Square Extrusion/80mm	The cutting angle limited from 70°- 110°
Square Extrusion/100mm	The cutting angle limited from 65°- 115°
Square Extrusion/120mm	The cutting angle limited from 30°- 150°



80 Square extrusion cutting angle diagram



Minimum degree of angle lock: 70°.



Maximum degree of angle lock: 110°.



100 Square extrusion cutting angle diagram



Minimum degree of angle lock: 65°.



Maximum degree of angle lock: 115°.



120 Square extrusion cutting angle diagram



Minimum degree of angle lock: 30°.

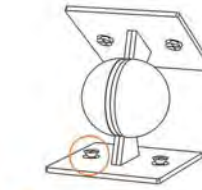


Maximum degree of angle lock: 150°.

Square Extrusion Cutting Angle



Structure of Square Extrusion Hinges



Fixed to the connector of square extrusion end by screws



Parallely slide into square extrusion notch to fasten

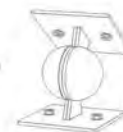


Fixed by hook head screw perpendicular to square extrusion notch

Used for 120 square extrusion



LT-EM203



LT-EM209



LT-EM227



LT-EM210



LT-EM208



LT-EM230

Used for 100 square extrusion



LT-EM214



LT-EM215



LT-EM229



LT-EM231



LT-EM232

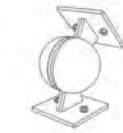


LT-EM233

Used for 80 square extrusion



LT-EM212



LT-EM213



LT-EM228



LT-EM234

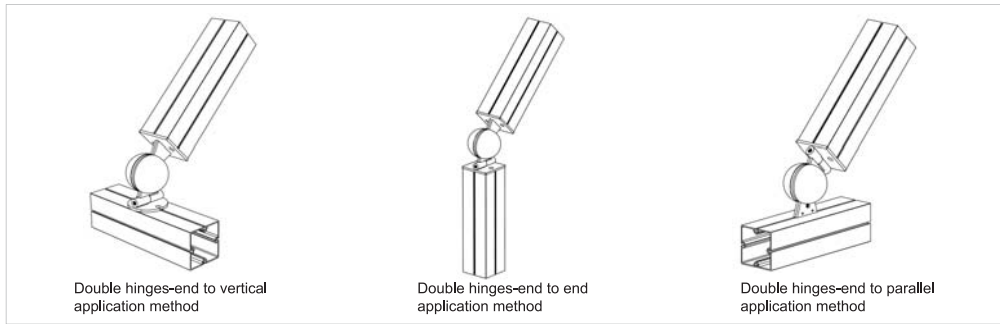
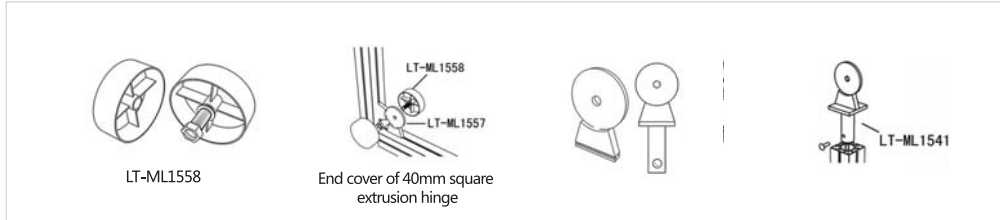


LT-EM235

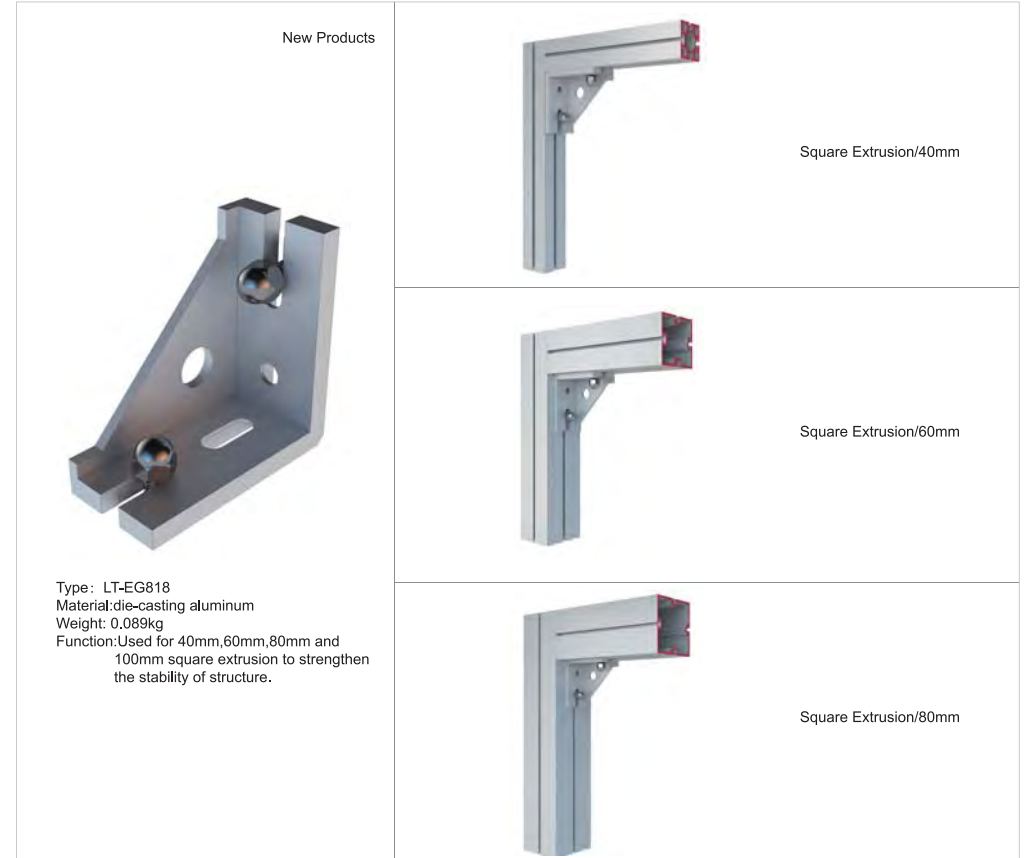


LT-EM236

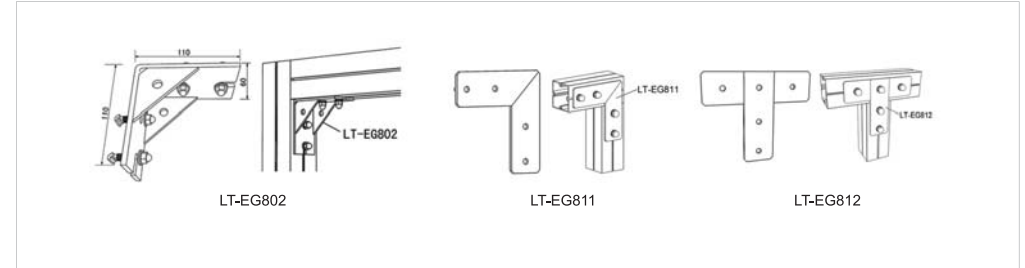
Structure of Square Extrusion Hinge



Square Extrusion Reinforcement Application Diagram



Corner support, enforce the structure



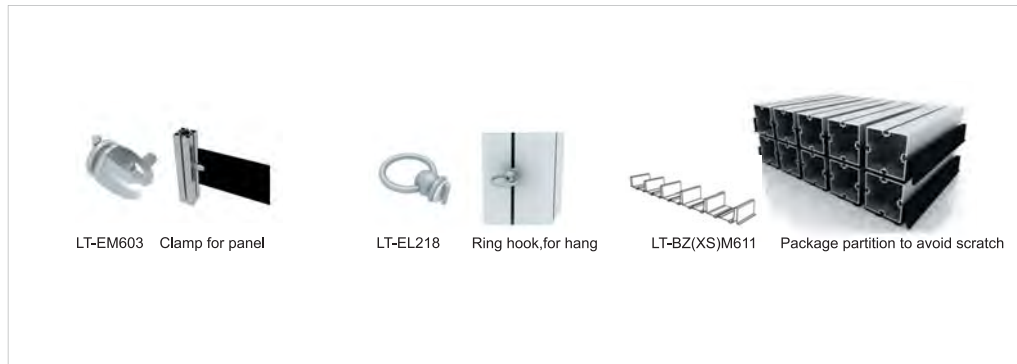
Square Extrusion Accessories



Accessories for square profile - Inner extension connector



Accessories for square profile - Other



Square Extrusion Surface Treatment

The color of aluminum profiles surface can be changed by power coating or baking varnish according to customer's requirements



Application











